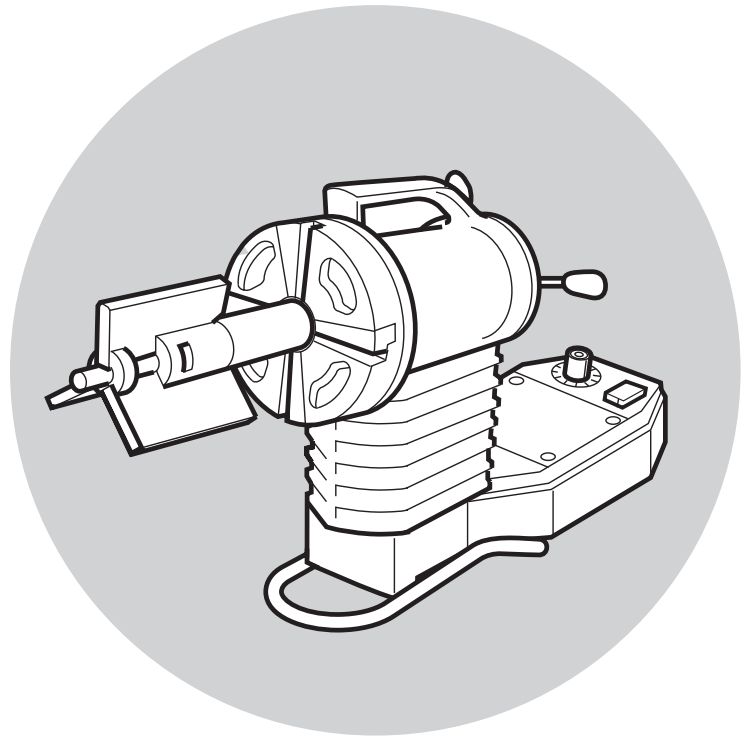


## Spare parts list

Pipe End Preparation  
Machines

**REB 6, REB 14  
(Electric)**



Code 790 093 759

| Machine-No.:

---

All rights reserved, in particular the rights of duplication and distribution as well as translation.  
Duplication and reproduction in any form (print, photocopy, microfilm or electronic) require the written permission of Orbitalum Tools GmbH.

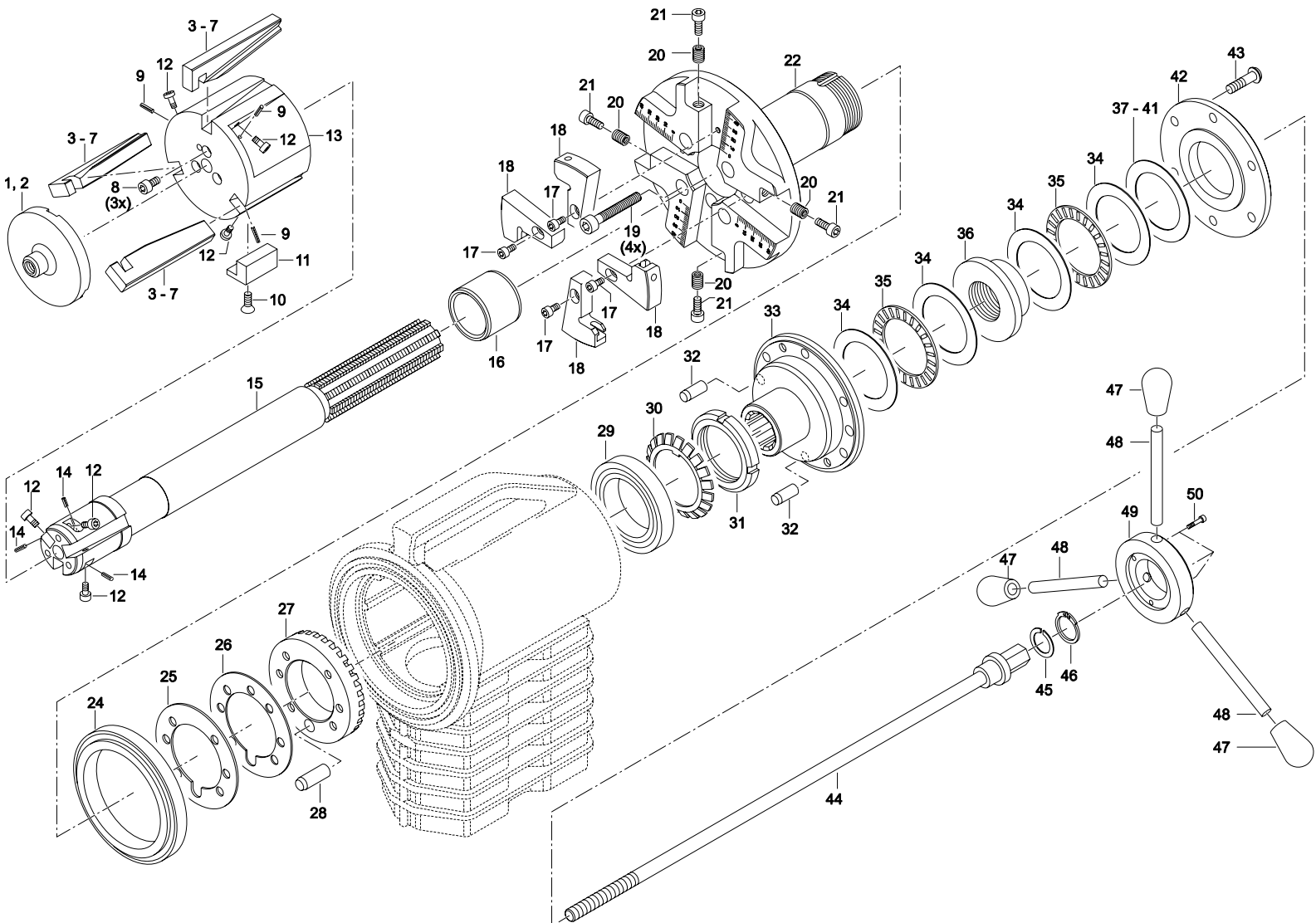
## Table of contents

	Page
REB 6, Mandrel and clamping head	2
REB 6, Housing	4
REB 14, Mandrel and clamping head	5
REB 14, Bearing	8
REB 14, Housing	10
REB 6, 14, Motor	11
REB 6, 14, Gear	13
Servicing, customer service	17



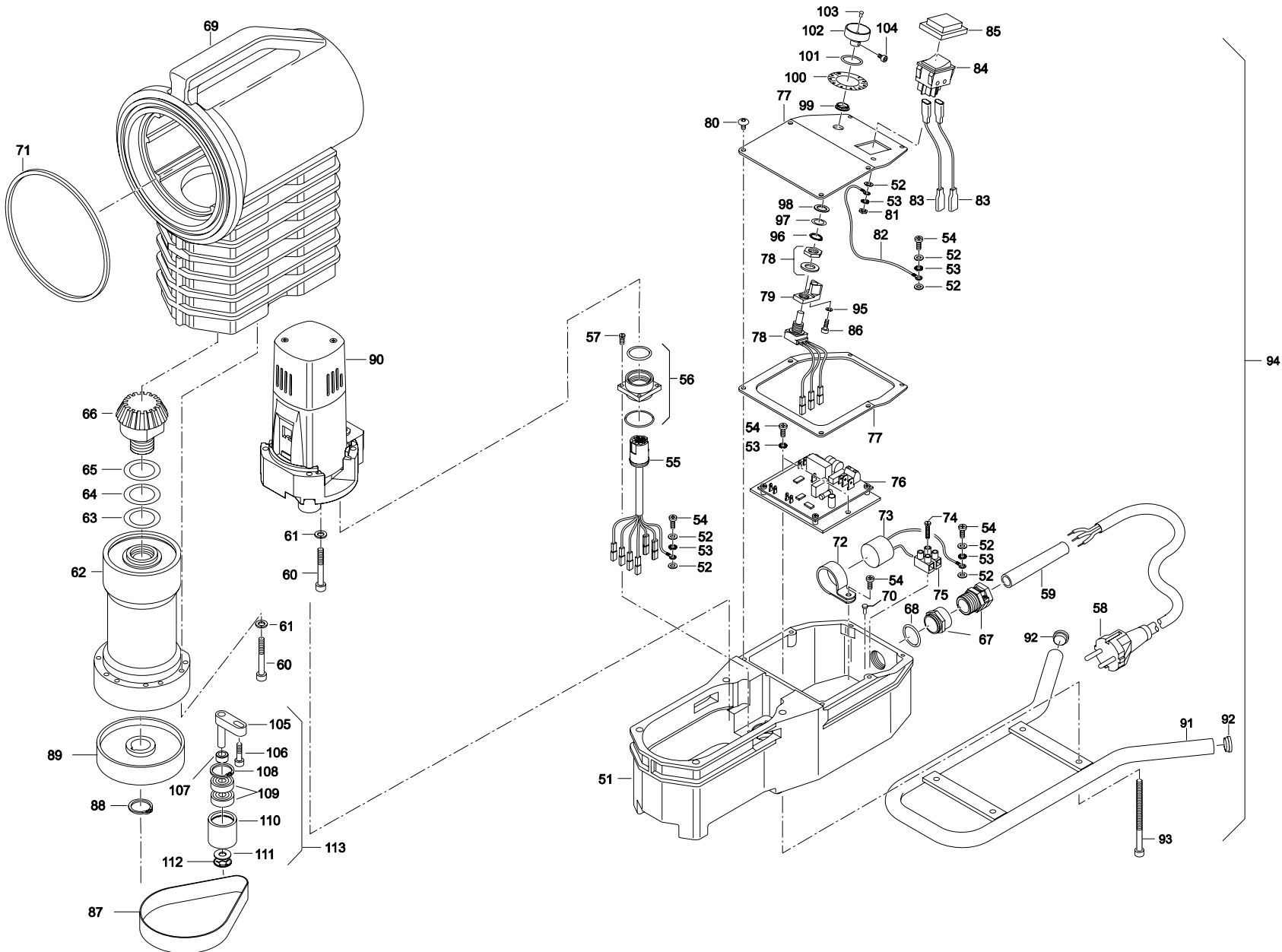


# REB 6, Mandrel and clamping head



Item No.	Part Number	Description
1	790 093 152	Clamping washer Ø 35 mm
2	790 093 154	Clamping washer Ø 90 mm
3	790 093 134	Chucking wedge 49 - 60/104 - 115
4	790 093 136	Chucking wedge 60 - 71/115 - 126
5	790 093 138	Chucking wedge 71 - 82/126 - 137
6	790 093 140	Chucking wedge 82 - 93/137 - 148
7	790 093 142	Chucking wedge 93 - 104/148 - 159
8	030 5501 214	Cylindrical screw M6 x 12
9	056 6958 075	Pression pin 3 x 14
10	030 2301 214	Flat head screw M6 x 12
11	790 093 132	Wedge
12	790 094 150	Screw for chucking wedge
13	790 093 130	Clamping head
14	056 6958 072	Pression pin 3 x 8
15	790 093 128	Mandrel
16	790 093 157	Cylindrical bearing 50 x 41
17	790 092 232	Shoulder screw M5 x 10
18	790 093 282	Shaft for tool support (15°)
19	030 5601 284	Cylindrical screw M8 x 55
20	790 133 303	Threaded insert
21	030 5501 216	Cylindrical screw M6 x 16
22	790 093 110	Tool support REB 6 (15°)
24	790 093 118	Taper roller bearing
25	790 093 113	Distance washer 100 x 62.2 x 2
26	790 093 122	Distance washer 100 x 62.2 x 1.5

Item No.	Part Number	Description
27	790 093 102	Facing wheel z = 32
28	056 5808 675	Cylindrical pin 12 x 32
29	790 093 119	Taper roller bearing
30	790 093 121	Safety plate
31	790 093 120	Groove nut M55 x 2
32	056 5808 621	Cylindrical pin 10 x 24
33	790 093 160	Wedge centre
34	790 093 164	Axial bearing shift
35	790 093 163	Axial needle bearing
36	790 093 162	Fixing nut
37	790 093 165	Regulating washer 55 x 78 x 0.1
38	790 093 166	Regulating washer 55 x 78 x 0.12
39	790 093 167	Regulating washer 55 x 78 x 0.15
40	790 093 168	Regulating washer 55 x 78 x 0.2
41	790 093 169	Regulating washer 55 x 78 x 0.25
42	790 093 156	Cutter shaft front cover
43	030 7001 274	Oval head screw M8 x 30
44	790 093 230	Threaded spindle
45	790 093 242	Adjusting washer 20 x 28 x 1
46	790 093 241	Safety clip 28
47	790 093 117	Handle
48	056 5800 652	Cylindrical pin 10 x 100
49	790 093 116	Handle disc
50	030 5501 119	Cylindrical screw M4 x 20



# REB 6, Housing

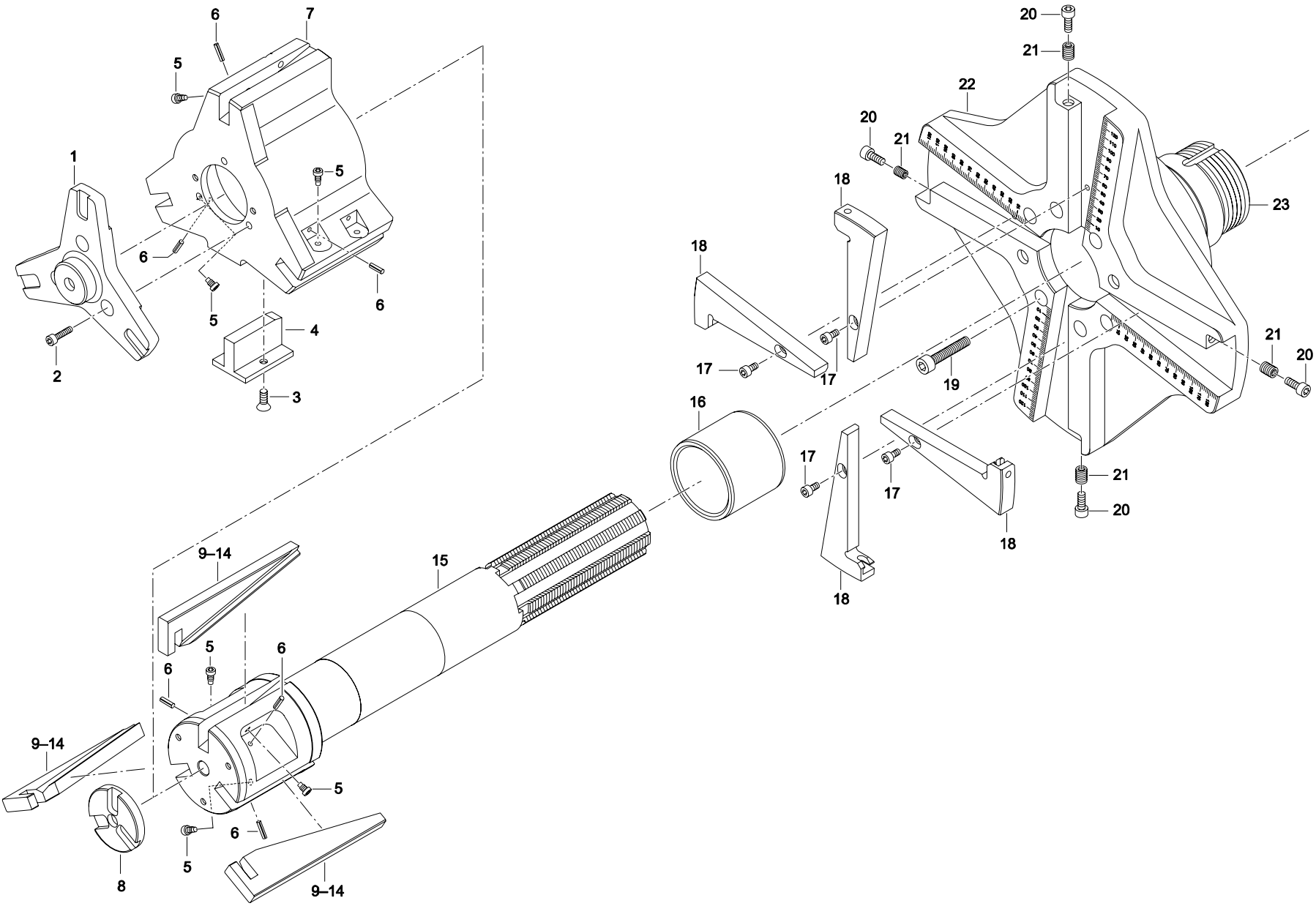


Item No.	Part Number	Description
51	790 093 108	Housing cover for REB 6E and REB 14E
52	054 2605 314	Disc 4.3
53	055 3467 309	Separated lock washer 4.3
54	790 093 426	Oval head screw M4 x 10
55	790 093 431	Cable tree complete
56	790 093 354	Support flange complete
57	790 093 432	Countersunk screw M3 x 8
58	790 093 434	Cable 230 V D
59	790 093 435	Protection tube
60	030 5505 178	Cylindrical screw M5 x 40
61	055 3051 310	Spring washer 5
62	790 093 124	Gear for REB 6, REB 14 (see separate spare parts list)
63	790 093 229	Washer 26 x 37 x 0.5
64	790 093 228	Washer 26 x 37 x 0.2
65	790 093 227	Washer 26 x 37 x 0.1
66	790 093 104	Pinion z = 16
67	790 093 436	Pressure spring PG13.5
68	790 093 440	O-washer 9 x 1.5
69	790 093 106	Housing
70	790 093 430	Earth grooved drive stud
71	790 093 171	Felt packing 0.47 m
72	790 093 428	Clamp
73	790 093 427	Protective guide reactor
74	*	Cylindrical screw M3 x 16
75	790 093 429	Clamping device
76	790 093 433	Electric speed regulating device REB 6,14
77	790 093 276	Front plate with seal pre-mounted with potentiometer
78	790 093 439	Potentiometer
79	790 093 288	Angle for potentiometer
80	030 7002 112	Ovalhead screw M4 x 8
81	*	Hexagon nut M4
82	790 093 441	Connecting cable

\* No longer available

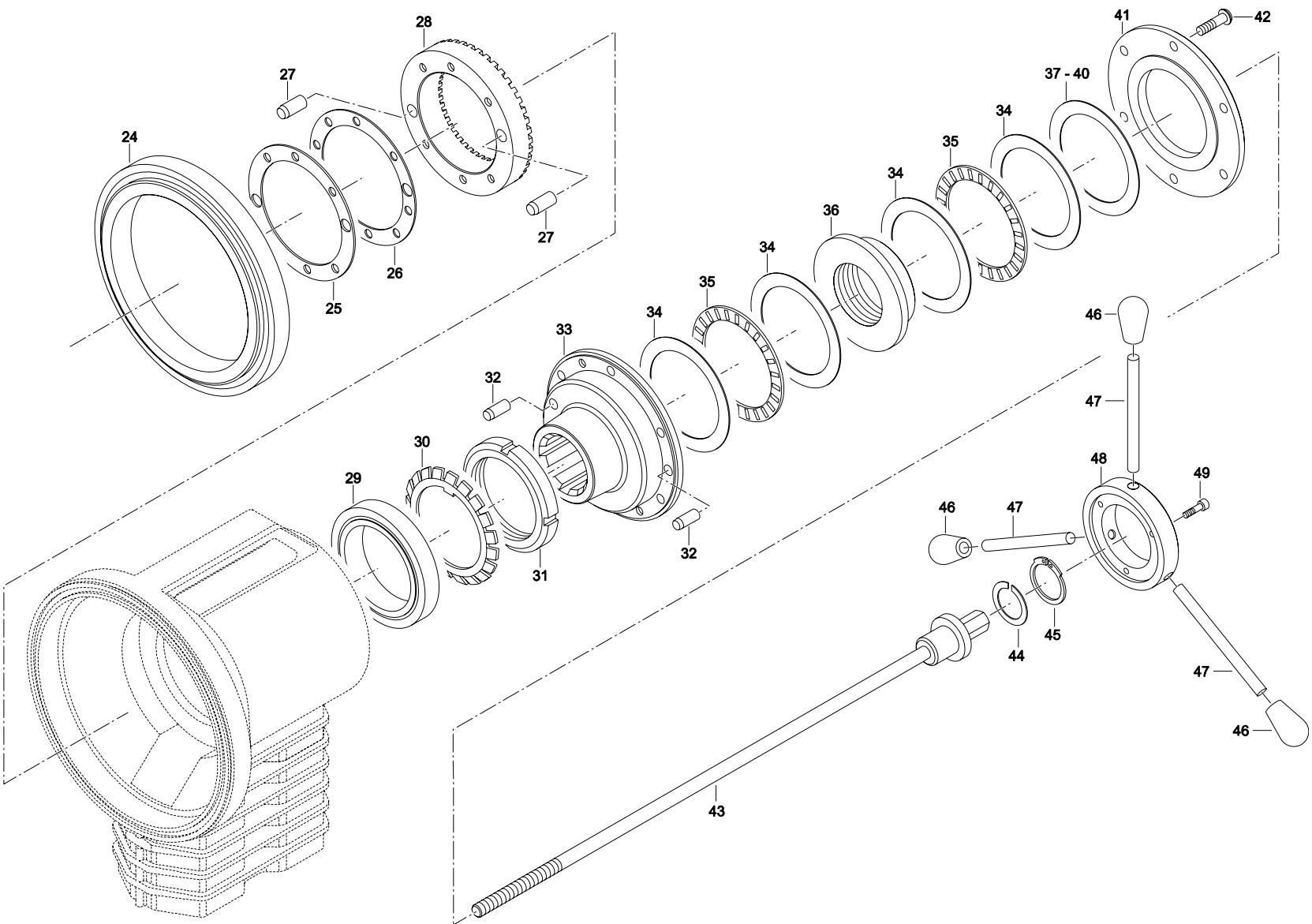
Item No.	Part Number	Description
83	790 093 442	Connecting cable
84	790 093 437	Cut-out
85	790 093 438	Seal cup
86	030 5505 114	Cylindrical screw M4 x 12
87	790 093 265	Flat belt
88	055 4158 320	Locking ring 20 x 1.2
89	790 093 254	Pulley
90	790 093 270	Electric motor for REB 6, REB 14 (see sep. spare parts list)
91	790 093 150	Floor stand
92	790 093 248	Plug
93	030 5601 254	Cylindrical screw M6 x 110
94	790 093 351	Housing cover for REB 6 and 14 complete
95	055 3055 409	Spring washer 4
96	055 4158 312	Locking ring 12 x 1
97	055 4307 112	Washer 12 x 18 x 0.1
98	055 4307 012	Washer 12 x 18 x 1.0
99	790 093 290	Bearing bush clip
100	790 093 284	Scale for potentiometer
101	790 093 289	O-washer 22 x 2
102	790 093 286	Button for potentiometer
103	058 8723 260	Grooved drive stud, round head 3 x 5
104	030 5505 112	Cylindrical screw M4 x 8
105	790 093 274	Tension roller support with cylindrical pin
106	030 5501 116	Cylindrical screw M4 x 16
107	790 093 266	Bush for tension roller
108	055 4058 319	Locking ring 19 x 1
109	790 093 264	Grooved ball bearing 626-2RZ
110	790 093 256	Tension roller
111	790 093 267	Washer for tension roller
112	790 057 214	Shaft seal D6
113	790 093 275	Tension roller complete

6 REB 14, Mandrel and clamping head



Item No.	Part Number	Description
1	790 094 154	Clamping plate Ø 174 mm
2	030 5501 219	Cylindrical screw M6 x 20
3	030 2305 214	Flat head screw M6 x 12
4	790 094 132	Carrier wedge
5	790 094 150	Screw for chucking wedge
6	056 6958 115	Pression pin 4 x 14
7	790 094 130	Clamping head
8	790 094 152	Clamping washer Ø 60 mm
9	790 094 134	Chucking wedge 92 - 111/206 - 225
10	790 094 136	Chucking wedge 111 - 130/225 - 244
11	790 094 138	Chucking wedge 130 - 149/244 - 263
12	790 094 140	Chucking wedge 149 - 168/263 - 282

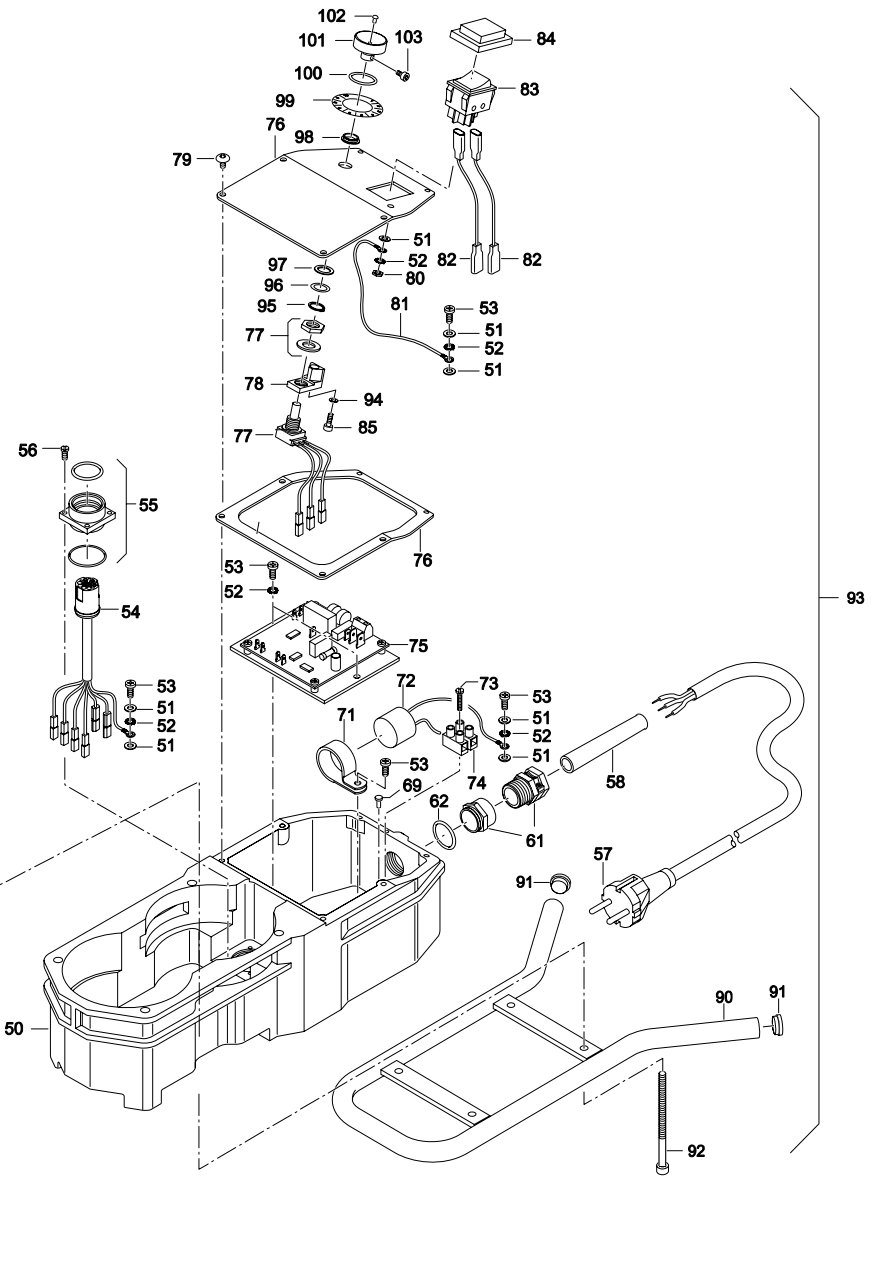
Item No.	Part Number	Description
13	790 094 142	Chucking wedge 168 - 187/282 - 301
14	790 094 144	Chucking wedge 187 - 206/301 - 320
15	790 094 128	Mandrel
16	790 094 157	Cylindrical bearing
17	790 092 232	Shoulder screw M5 x 10
18	790 094 112	Shaft for tool support
19	030 5601 288	Cylindrical screw M8 x 65 (4 pieces)
	030 5501 278	Cylindrical screw M8 x 40 (2 pieces)
20	030 5501 216	Cylindrical screw M6 x 16
21	790 133 303	Threaded insert
22	790 094 238	Tool support disc
23	790 094 236	Bearing flange for tool support



# REB 14, Bearing

Item No.	Part Number	Description
24	790 094 118	Taper roller bearing
25	790 094 113	Distance washer 130 x 100.2 x 2
26	790 094 122	Distance washer 130 x 100.2 x 1.5
27	056 5808 692	Cylindrical pin 12 x 75
28	790 094 102	Facing wheel z = 44
29	790 094 119	Taper roller bearing
30	790 094 121	Safety plate
31	790 094 120	Groove nut M80 x 2
32	056 5808 621	Cylindrical pin 10 x 24
33	790 094 160	Wedge centre
34	790 094 164	Axial bearing shift
35	790 094 163	Axial needle bearing
36	790 094 162	Fixing nut

Item No.	Part Number	Description
37	790 094 168	Disc 90 x 110 x 0.1
38	790 094 169	Disc 90 x 110 x 0.15
39	790 094 170	Disc 90 x 110 x 0.2
40	790 094 171	Disc 90 x 110 x 0.12
41	790 094 156	Cutter shaft front cover
42	030 7001 274	Oval head screw M8 x 30
43	790 094 149	Threaded spindle
44	790 094 182	Disc 30 x 42 x 1
45	790 094 181	Safety clip 42
46	790 093 117	Handle
47	056 5800 660	Cylindrical pin 10 x 120
48	790 094 166	Handle disc
49	030 5501 169	Cylindrical screw M5 x 20

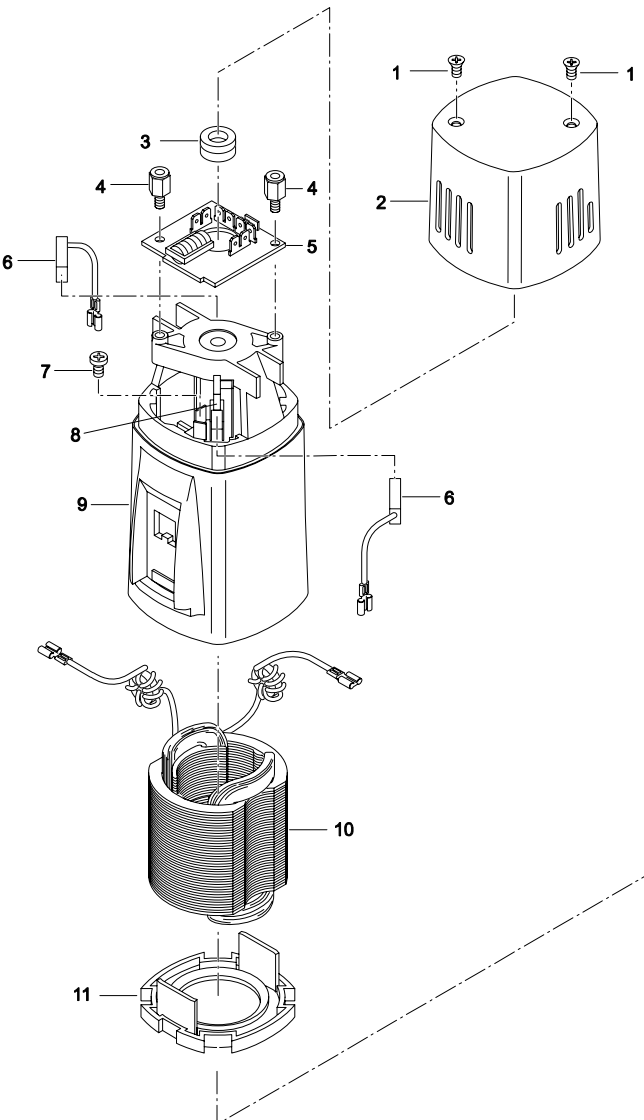
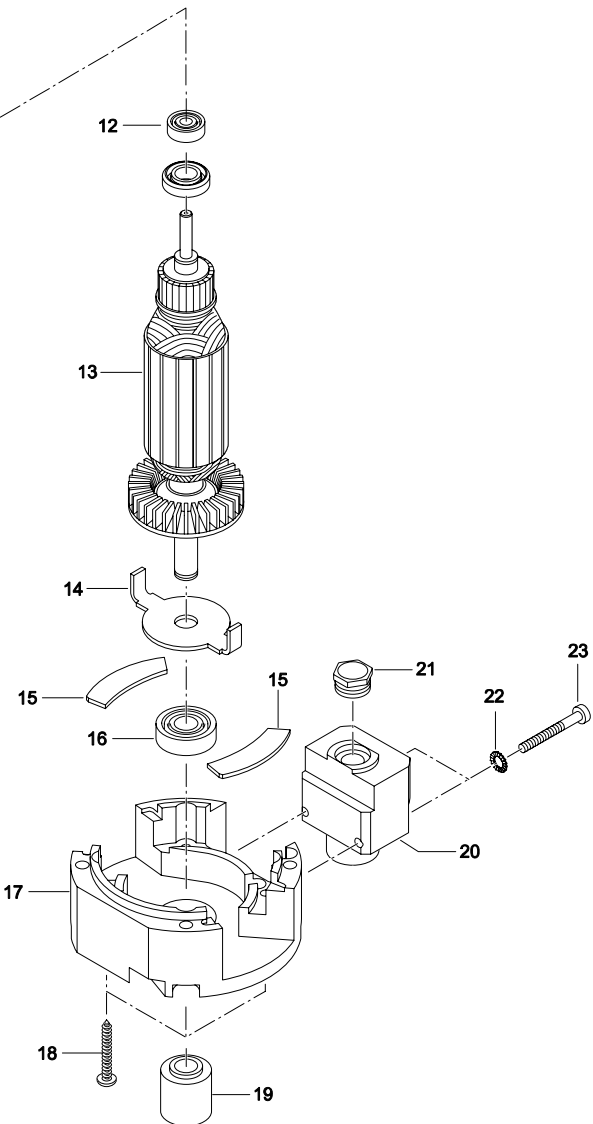


# REB 14, Housing

Item No.	Part Number	Description
50	790 093 108	Housing cover for REB 6E and REB 14E
51	054 2605 314	Disc 4.3
52	055 3467 309	Disc 4.3
53	790 093 426	Oval head screw M4 x 10
54	790 093 431	Cable tree complete
55	790 093 354	Support flange complete
56	790 093 432	Countersunk screw M3 x 8
57	790 093 434	Cable 230 V D
58	790 093 435	Protection tube
59	030 5505 178	Cylindrical screw M5 x 40
60	055 3051 310	Spring washer 5
61	790 093 436	Pressure spring PG13.5
62	790 093 440	O-washer 9 x 1.5
63	790 093 124	Gear for REB 6, REB 14 (see separate spare parts list)
64	790 093 229	Washer 26 x 37 x 0.5
65	790 093 228	Washer 26 x 37 x 0.2
66	790 093 227	Washer 26 x 37 x 0.1
67	790 094 104	Pinion z = 16
68	790 094 106	Housing
69	790 093 430	Earth jag nail
70	790 093 171	Felt packing 0.75 m
71	790 093 428	Clamp
72	790 093 427	Protective guide reactor
73	*	Cylindrical screw M3 x 16
74	790 093 429	Clamping device
75	790 093 433	Electric speed regulating device REB 6, 14
76	790 093 276	Front plate with seal pre-mounted without potentiometer
77	790 093 439	Potentiometer
78	790 093 288	Angle for potentiometer
79	030 7002 112	Oval head screw M4 x 8
80	*	Hexagon nut M4
81	790 093 441	Connecting cable

\* No longer available

Item No.	Part Number	Description
82	790 093 442	Connecting cable
83	790 093 437	Cut-out
84	790 093 438	Seal cup
85	030 5505 114	Cylindrical screw M4 x 12
86	790 093 265	Flat belt
87	055 4158 320	Locking ring 20 x 1.2
88	790 093 254	Pulley
89	790 093 270	Electric motor for REB 6, REB 14 (see sep. spare parts list)
90	790 093 150	Floor stand
91	790 093 248	Plug
92	030 5601 254	Cylindrical screw M6 x 110
93	790 093 351	Housing cover REB 6 and 14 complete
94	055 3055 409	Spring washer 4
95	055 4158 312	Locking ring 12 x 1
96	055 4307 112	Washer 12 x 18 x 0.1
97	055 4307 012	Washer 12 x 18 x 1.0
98	790 093 290	Bearing bush clip
99	790 093 284	Scale for potentiometer
100	790 093 289	O-washer 22 x 2
101	790 093 286	Button for potentiometer
102	058 8723 260	Semicircular grooved drive stud 3 x 5
103	030 5505 112	Cylindrical screw M4 x 8
104	790 093 274	Tension roller support with Cylindrical pin
105	030 5501 116	Cylindrical screw M4 x 16
106	790 093 266	Bush for tension roller
107	055 4058 319	Locking ring 19 x 1
108	790 093 264	Grooved ball bearing 626-2RZ
109	790 093 256	Tension roller
110	790 093 267	Washer for tension roller
111	790 057 214	Shaft seal D6
112	790 093 275	Tension roller complete



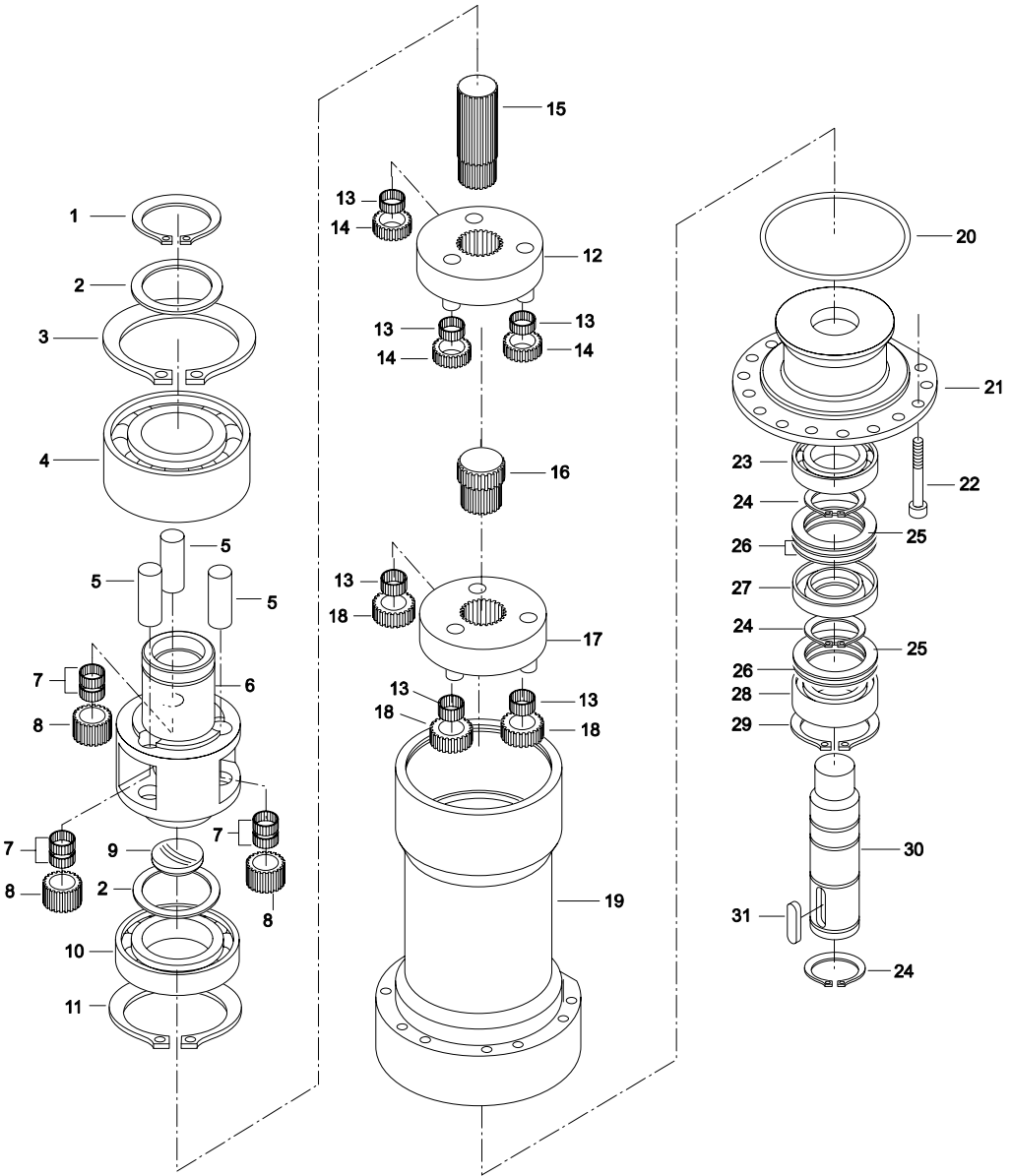
# 12 REB 6, 14, Motor



Item No.	Part Number	Description
1	*	Flat head screw M4 x 8
2	790 093 374	Cover
3	790 093 379	Isolator bush
4	790 093 372	Distance bolt
5	790 093 366	Motor connection
6	790 093 385	Carbon brush
7	790 093 368	Screw Ejot-PT
8	790 093 367	Brush holder
9	790 093 369	Motor housing
10	790 093 371	Stator 230 V 50–60 Hz
11	790 093 370	Aerial conductor ring
12	061 0202 007	Grooved ball bearing 607-Z

\* No longer available

Item No.	Part Number	Description
13	790 093 375	Rotor 230 V 50–60 Hz
14	790 093 377	Closing plate
15	790 093 384	Aerial conductor plate
16	061 0310 010	Grooved ball bearing 6000 ZZ
17	790 093 376	Intermediate bearing
18	790 093 378	Screw Ejot-PT
19	790 093 273	Pulley with tolerance shell complete
20	790 093 380	Plug housing
21	790 093 382	Gland bolt PG9
22	055 3467 309	Serrated lock washer 4.3
23	030 6538 126	Countersunk screw M4 x 35



REB 6, 14, Gear

Item No.	Part Number	Description
1	055 4158 335	Safety clip 35 x 1.5
2	790 093 335	Disc 35 x 45 x 1.5
3	055 4058 372	Safety clip 72 x 2.5
4	790 093 336	Angular ball bearing
5	790 093 334	Planet wheel bolt
6	790 093 330	Planet carrier complete
7	790 093 333	Needle cage
8	790 093 332	Planet wheel
9	790 093 331	Closing disc
10	061 0100 035	Grooved ball bearing 16007
11	055 4058 362	Safety clip 62 x 2
12	790 093 337	Planet carrier complete
13	790 093 339	Needle cage
14	790 093 340	Planet wheel
15	790 093 338	Pinion
16	790 093 342	Pinion

Item No.	Part Number	Description
17	790 093 341	Planet carrier complete
18	790 093 343	Planet wheel
19	790 093 329	Gear housing
20	790 093 346	O-ring 69 x 1.5
21	790 093 345	Bearing housing
22	030 5501 164	Cylindrical screw M5 x 12
23	061 0100 020	Grooved ball bearing16004
24	055 4158 320	Safety clip 20 x 1.2
25	055 4307 030	Disc 30 x 42 x 1.0
26	055 4307 130	Disc 30 x 42 x 0.1
27	790 093 344	Motor shaft seal 20 x 42 x 7
28	061 0810 020	Grooved ball bearing 6004-2RS
29	055 4058 342	Safety clip 42 x 1.75
30	790 093 347	Pinion
31	056 5000 168	Spring A5 x 5 x 17



## Servicing, customer service

For ordering spare parts and for problem solving, please contact your branch office directly.

For ordering spare parts please give the following details:

- Machine-Type: **REB 6 Electric** or **REB 14 Electric**
- Name of spare parts
- Part Number





**Orbitalum Tools GmbH**  
Josef-Schüttler-Straße 17  
78224 Singen, Deutschland  
Tel. +49 (0) 77 31 / 792-0  
Fax +49 (0) 77 31 / 792-524  
tools@orbitalum.com  
www.orbitalum.com

An ITW Company

790 093 759\_06/04 (07.08)  
© Orbitalum Tools GmbH  
D-78224 Singen 2008  
Printed in Germany